



# Discovery

## EXPRESS

Vol. 8, No. 1

Winter 2006

### IN THIS ISSUE

About This Newsletter	2
President's Message	2
Discover the Alamo in 2006	3
Thank You, Members!	3
DOAI Board of Directors	4
DOAI Chapters/Presidents	4
Helpful RV Information	4
Summary of Board Meetings	5
Summary of Annual Meeting	5
Tri-Chapter Friendship Rally	6
More Thanks!	6
Good for You!	7
Share the Good/Bad News	7
Important eGroup Information	8
Important Membership Info	8
Chapter Reports:	
Texas Disco Road Runners	8
Louisiana Mudbugs	8
Dixie Travelers	9
Mid-South Roadrunners	9
Midwest Discoverers	10
Heartland Discoverys	10
Discovery Texans	10
Mason-Dixon Discoverys	10
Discovery Pioneers	11
Founders' Forum	11
And More Thanks!	11
Rally Schedule	12
In Our Thoughts and Prayers	12
Fleetwood Tech Info	13
RV Travel Security Checklist	14
eGroup Conversation	15
From Then to Now	16
Weathering the Storms	17
New Members	18
Discovery Modifications	19
Friendship Festival Form	20
Sale Page for Members	21
2006 National Rally Form	22
Editor's Ramblings	23
Membership Form	23

*My RV is the only place where I can find some peace and quiet* – Paul Newman  
Actor and race car driver

*Traveling by RV is like being at home. Now my wife and son come with me on tour. That has allowed me to relax and play more events without getting fatigued or stressed out* – Rory Sabbatini  
Golf pro



## IT'S OFFICIAL!



### NEW BOARD FOR 2006-2007 ELECTED

**B**ob Baugh, past president of DOAI and chairman of the nominating committee, reports that on December 16 he received a list of paid-up membership numbers from membership director Portia Williams, and that Bob's wife, Carol, verified the ballots. Bob and Carol received 155 ballots, but three were invalid due to the membership numbers not being on the provided list (assumption made that those members are not paid up). Bob counted the ballots and here are the results:

POSITION	CANDIDATE	VOTE TOTAL
<b>President</b>	<b>Phil Yovino</b> .....	137
	John Baker (write in).....	1
	Tom Fields (write in).....	1
	Dick Snyder (write in).....	1
<b>Executive Vice President</b>	<b>Tom Fields</b> .....	102
	Marshall Mauck.....	50
<b>Vice President of Development</b>	<b>Marshall Godwin</b> .....	132
	Bob Soltwedel (write in).....	1
<b>Secretary</b>	<b>Becky Godwin</b> .....	106
	Judy Curtis (write in).....	38
<b>Treasurer</b>	<b>Louise Mauck</b> .....	140
	Judy Curtis (write in).....	1
	Edna Pendergrass (write in).....	1
<b>National Rally Master</b>	<b>Jay Keneson</b> .....	140
<b>Region Vice Presidents:</b>		
	<b>North Central</b>	
	<b>Dick Snyder</b> .....	140
	Ron Merkt (write in).....	1
<b>Northeast</b>	<b>John Zidek</b> .....	141
<b>Northwest</b>	<b>Bob Soltwedel</b> .....	128
	Jerry Woods.....	15
<b>South Central</b>	<b>Garry Shirey</b> .....	137
	Tom Fields (write in).....	1
<b>Southeast</b>	<b>Pete Pizzano</b> .....	88
	Dick Smith.....	62
<b>Southwest</b>	<b>Gerald Embry</b> .....	138

*Quarterly Publication of Discovery Owners Association, Inc.,  
an organization by and for owners of Fleetwood RV Discovery Motor Homes*

**ABOUT THIS NEWSLETTER**  
**Discovery EXPRESS** is published four times annually. **Deadline** for copy is the 20th of the last month in each quarter: March, June, September, and December.

**Member addresses and telephone numbers** published in this newsletter are for members' personal use only.

**Toll-free numbers** for officers and chairmen are to be used **only** for DOAI business.

**Members** are encouraged to send in articles, tips, questions, and/or comments.

**Material** for the newsletter may be sent via e-mail or U.S. Post Office. Photos are welcome, and if sent via e-mail, should be in either .jpg or .bmp format. Photos sent by regular mail will be scanned and returned to contributors. **All submissions will be acknowledged.** If acknowledgment is not received within a reasonable time, please call the editor.

**Discovery EXPRESS Editor**  
 Nina Lee Soltwedel  
 4736 Harwich St.  
 Boulder, CO 80301-4217  
 888.786.2962  
[nina.soltwedel@gmail.com](mailto:nina.soltwedel@gmail.com)

**Please notify us when your address changes!** Contact the DOAI membership director as soon as your new address is known. Newsletters are costly to mail, and DOAI pays double when a newsletter is returned.

**Membership Director**  
 Portia Williams  
 P. O. Box 95  
 St. George, UT 84771-0095  
 888.594.6818  
[rgwilliams@sisna.com](mailto:rgwilliams@sisna.com)

**DOAI Website**  
[www.discoveryowners.com](http://www.discoveryowners.com)

**DOAI eGroup**  
[www.groups.yahoo.com](http://www.groups.yahoo.com)

## PRESIDENT'S MESSAGE

by Phil Yovino



**H**i to all Discovery members! It's hard to believe that two years have come and gone, but they have and we're off for another term. With this election behind us, and some new members on the board (welcome!), we'll get started planning our course. Thanks to the new board members for stepping up and taking command of your new jobs. Also to those who have served on the board so loyally, *thanks*.

We have accomplished a great deal

these past two years and there is more to come.

We're going to have several new board members, and they will have fresh new ideas and suggestions to bring to the DOAI. I welcome them all. We have a great club, one that's looked on favorably by others. We're Discovery owners and proud.



In talks with members running for office, we're in for some good things. For instance, we are going to be more aggressive in recruiting additional sponsors for **Discovery EXPRESS**. This extra revenue can be used in many ways. The board and I will solicit your help to identify ways to apply these funds for the benefit of the club membership.

In 2007, our national rally will be in the Southwest Region. After that, we need to decide how we're going to select future locations. Some suggest we go strictly central, some say keep rotating as we have. The board members will have to dig deep and seek out the preferences of the members in their regions. The board will also be looking for options and inputs from our national rally master. A decision on national rally sites must be in place by the first quarter of 2006.

I suggest you contact your region vice president (address and e-mail are in this newsletter) and state your case: where would you like to have the national rallies? What would you like to see or do most at the rally? I'll be in contact with our vice presidents and rally master and put all of your requests on a spreadsheet database, so that we can develop a plan. This is important: to put the best plan together, we need as much input as possible to have great rallies.

This information will be available to all vice presidents and our national rally master for use in planning and organizing our rallies, and to assist host chapters with their preparations. Great things will come from this action, so let's all get involved and share our thoughts.

With that said, I'll close for now and have the results for you in the next edition of the **Discovery EXPRESS**.

I hope you had a very merry Christmas, and that you will have a great New Year! Safe travels and good health! \*



## DISCOVER THE ALAMO AT THE DOAI NATIONAL RALLY 2006

by Jay Keneson

Our national rally this year will be held at the Blazing Star RV Resort in San Antonio, Texas, a true luxury RV resort. Located west of the city just off Hwy 1604 near Sea World, Blazing Star provides full hook-ups, concrete sites, paved roads, and trees. (See *Woodalls* or *Trailer Life* directories for additional information.)

Dates for the rally start with early arrival on October 1 and departure on October 8. The rally-before-the-rally will be on October 2-3. This will allow for golf in Bandera, the "Cowboy Capital of the World" (see *FMCA Magazine*, Oct, 2005, p.106). Additionally, the early dates allow for tours of San Antonio. Points of interest include:

- ⊗ Market Square (El Mercado) offers exciting shopping in an Old Mexico-type setting with great Mexican restaurants.
- ⊗ The Alamo (Mission San Antonio de Valero), the most famous spot in Texas, and four other old missions that are still active churches (and which form a National Historical Park), were built during settlement by Spain in the 18th century.
- ⊗ San Fernando Cathedral, still active, is the oldest cathedral in the U.S., constructed 1738-1755.
- ⊗ The Spanish Governor's Palace, once the home to the Spanish viceroy and governor of northern Mexico and Texas.
- ⊗ The River Walk (Paseo Del Rio) with its many restaurants, shops, hotels, and subtropical plants, allows a refreshing escape from the street level traffic as one strolls the pathways or views the scene from a narrated river barge tour (see *FMCA Magazine*, Oct. 2005, pp. 102-107). This is the pride of the city, and a must-visit place.

Ex-military folks may wish to visit Fort Sam Houston,

Lackland and Kelly Air Force bases, Randolph Air Force Base, Old Brooks Field, or Stinson Field. Others may also wish to visit Fiesta Texas and Sea World (both on winter schedule), as well as the San Antonio zoo, botanical gardens, La Villita, and the nearby Texas hill country.



Discover The Alamo and other good things in San Antonio next October!

You may ask, why are we starting the rally early? Many like to come early, get settled and have time to explore on their own. By having the tours up front, they don't interfere with the rest of the rally and will allow you to plan the places you still wish to visit. We plan to have many knowledgeable hosts available to assist you in deciding where to go and how to get there.

Now we are ready to continue with a more traditional rally, including seminars, vendors, maintenance and repairs. Don't forget great meals, entertainment, and visits with old Discovery friends, and the making of new ones. If you don't come for the full week, you will probably wish you had taken advantage of this great vacation destination!

Do you play a musical instrument? Please bring it! We plan to have a gathering area where you may join other musicians or just sit, listen or sing along.

Another first will be signs for the RVs of all national officers and chapter presidents for easy access should you have a question or a problem.

The weather this time of year is usually 60 and 70 at night, and 70 and 80 during the day. No guarantee on rain, however there was none during that period this year.

We sincerely hope to make this your best DOAI rally ever! However, you know who makes it great – YOU! The planning provides the structure only. As you know, your presence and the many activities you volunteer to help with or participate in are what make or break the rally. It's our rally, not theirs, so come and join in!

Plan on being in San Antonio October 1-8, 2006 to *Discover the Alamo*. Let's make this the best one yet! \*

## THANK YOU, MEMBERS!

FROM MAC McILVAINE: "It has been my privilege to serve as your treasurer for the past four years. I am pleased to report that your club continues to be in excellent financial condition. Happy travels, and we hope to see you down the road."

FROM PETE PIZZANO: "I thank and applaud all DOAI members who took the time to vote in the 2005 election. Alice and I extend congratulations to the six new board members. These newly elected members represent slightly less than 50 percent of the entire board. I look forward to working with the board to encourage membership representation, participation, and growth. As the newly elected Southeast Region vice president, I welcome members' input. As in the past, your suggestions and recommendations will be seriously considered and hopefully satisfactorily resolved in the spirit of friendship."

FROM MARSHALL GODWIN: "Thank you for your vote. As the new vice president of development, I hope to continue the

great work Don Fuller did to improve coordination with the major manufacturers; most notably, the effort to establish the DOAI Advisory Council. My goal is to serve the members of DOAI, to continue to build the best owner's association possible. I expect to attend every national rally, as I've done since joining DOAI, as well as many more region and chapter rallies in order to get to better know all of you. Please let me know how I can help."

FROM BECKY GODWIN: "I appreciate your support. As the new DOAI secretary, my promise to you is that I will diligently record and distribute meeting minutes and do everything I can to promote effective communications within our wonderful association. I look forward to getting to know more of you as we continue to work together to build on the successes of all who have made this such a unique and special organization."

See elsewhere in this issue for more notes from former and new board members and others. \*

**DOAI BOARD OF DIRECTORS**

**President**

Phil Yovino, 210 Fairfield St, Shoreacres TX 77571-7331; 877.246.4271; [pdyo@sbcglobe.net](mailto:pdyo@sbcglobe.net)

**Executive Vice President**

Tom Fields, 1231 Huisache Ave, Apt 1404, New Braunfels TX 78130-5791; 877.238.6955; [thomfiel@earthlink.net](mailto:thomfiel@earthlink.net)

**Vice President of Development**

Marshall Godwin, 103 Riverview Cir, Colonial Beach VA 22443-4816; 877.246.4516; [godwin.marshall@kingfishersys.com](mailto:godwin.marshall@kingfishersys.com)

**Secretary**

Becky Godwin, 103 Riverview Cir, Colonial Beach VA 22443-4816; 877.851.9874; [beckygodwin@msn.com](mailto:beckygodwin@msn.com)

**Treasurer**

Louise Mauck, 2078 Clarketown Rd, Heathsville VA 22473-2024; 877.245.9661; [mauck804@aol.com](mailto:mauck804@aol.com)

**National Rally Master**

Jay Keneson, 404 Cypress Springs Dr, Spring Branch TX 78070-4640; 888.793.4793; [jayk@gvtc.com](mailto:jayk@gvtc.com)

**Past President**

Bob Baugh, 123 Applecreek Ln, Richmond KY 40475-9154; 877.238.6952; [rcbaugh@chapel.us](mailto:rcbaugh@chapel.us)

**REGION VICE PRESIDENTS:**

**North Central (IL, IN, IA, KS, MI, MN, MO, NE, ND, SD, WI)**

Dick Snyder, 411 Alexander Dr, Seymour IN 47274-8633; 877.282.0779; [snyderfly@comcast.net](mailto:snyderfly@comcast.net)

**Northeast (CT, ME, MA, NH, NJ, NY, OH, PA, RI, VT, ON, QC)**

John Zidek, 82 Easy St, Cape May Court House NJ 08210-1329; 877.282.0776; [jzidek@dandy.net](mailto:jzidek@dandy.net)

**Northwest (AK, CO, ID, MT, OR, UT, WA, WY, AB, BC, MB, SK)**

Bob Soltwedel, 4736 Harwich St, Boulder CO 80301-4217; 877.238.7095; [bob.soltwedel@gmail.com](mailto:bob.soltwedel@gmail.com)

**South Central (AR, LA, OK, TX)**

Garry Shirey, 2450 Williams Lakeshore Dr, Kingsland TX 78639-4077; 877.245.9654; [garryts@tstar.net](mailto:garryts@tstar.net)

**Southeast (AL, DE, FL, GA, KY, MD, MS, NC, SC, TN, VA, WV)**

Pete Pizzano, 4712 Coachmen Rd, New Port Richey FL 34655-1501; 877.238.6953; [alice.pizzano@verizon.net](mailto:alice.pizzano@verizon.net)

**Southwest (AZ, CA, HI, NV, NM)**

Gerald Embry, 14572 Mesa St, Hesperia CA 92345-2242; 877.238.6954; [jmembry36@uia.net](mailto:jmembry36@uia.net)

**Florida Discovery Rolling Gators (FL)**

Tom Ebbert, PO Box 1134, Tavernier FL 33070-1134; 305.852.9762; cell 305.393.1215; [quiltz4u@bellsouth.net](mailto:quiltz4u@bellsouth.net)

**Heartland Discoverys (IL, IN, IA, KS, MI, MN, MO, NE, ND, SD, WI)**

Elfers Marzahl, 3905 Lake St, Burlington WI 53105-7722; 262.763.6741; [elfers@pngusa.net](mailto:elfers@pngusa.net)

**Louisiana Mudbugs (LA)**

Carolyn Barnes, 715 Stable Rd, Ruston LA 71270-3069; 318.251.2568; [crb39@cox-internet.com](mailto:crb39@cox-internet.com)

**Mason-Dixon Discoverys (DE, MD, NJ, NC, PA, VA, WV)**

Dick Smith, 3000 Old Mountain Rd S, Joppa MD 21085-2910; 410.612.9732; cell 410.937.2759; [poppop4171@msn.com](mailto:poppop4171@msn.com)

**Mid-South Roadrunners (AL, FL, GA, KY, MO, NC, SC, TN, VA, WV)**

Marshall Mauck, 2078 Clarketown Rd, Heathsville VA 22473-2024; 804.580.6401; cell 703.819.2095; [mauck804@aol.com](mailto:mauck804@aol.com)

**Midwest Discoverers (IN, KY, OH, PA)**

John Wimer, PO Box 42, Hammondsville OH 43930-0042; 330.532.3031; [john.wimer@att.net](mailto:john.wimer@att.net)

**Nor'easters (CT, ME, MA, NH, NJ, NY, OH, PA, RI, VT, QC, ON)**

Dorie Baker, Cypress Woods RV Resort Lot B-99, 5551 Luckett Rd, Fort Myers FL 33905-5509; 717.487.8879; [dorieann@comcast.net](mailto:dorieann@comcast.net)

**Northwest Adventurers (AK, ID, MT, WA, AB, BC, MB, SK)**

Ken Swain, 2708 224th Ave NE, Sammamish WA 98074-6409; 425.802.3240; [eagle747@earthlink.net](mailto:eagle747@earthlink.net)

**Texas Disco Road Runners (TX)**

Garry Shirey, 2540 Williams Lakeshore Dr, Kingsland TX 78639-4077; 325.388.4746; [garryts@tstar.net](mailto:garryts@tstar.net)

**DOAI CHAPTERS/PRESIDENTS**

**Arizona Discovery Owners (AZ)**

Barbara Klusman, 10040 E. Ranch Gate Rd, Scottsdale AZ 85255-2306; 480.585.5599; cell 602.549.5590; [klusman@msn.com](mailto:klusman@msn.com)

**Discovery Pioneers (CO, KS, NE, NM, UT, WY)**

Joyce Wiechman, PO Box 618, Scott City KS 67871-0618; 620.872.3238 Kan.; 480.380.4717 Ariz.; [joycew30@aol.com](mailto:joycew30@aol.com)

**Discovery Texans (TX)**

John Baker, 2922 Colonel Court Dr, Richmond TX 77469-6702; 281.341.7177; [bakerjohn@swbell.net](mailto:bakerjohn@swbell.net)

**Dixie Travelers (AL, MS, GA, FL)**

Howard Taylor, 8047 Ansley Trace, Montgomery AL 36117-8218; 334.356.9052; cell 334.318.5552; [httaylor7@wmconnect.com](mailto:httaylor7@wmconnect.com)

**HELPFUL RV INFORMATION**

Allison Transmission, GM Corp. ....	800.252.5283	Kwieke Products .....	800.736.9961
Atwood Mobile Products .....	574.264.2131	Magnadyne .....	800.638.3600
Caterpillar RV Engine Support .....	877.777.3126	Michelin North America .....	800.847.3435
Carefree of Colorado .....	800.621.2617	Norcold, Inc. ....	800.543.1219
Carriage Carpets (Shaw Flooring) .....	877.706.3054	Onan .....	800.888.6626
CCI Controls .....	800.521.5228	Power Gear .....	800.334.4712
Cummins, Inc. ....	800.343.7357	Riverpark .....	800.442.7717
Denso (call Fleetwood) .....	800.322.8216	RV Dump Locations .....	<a href="http://www.rvdumps.com">www.rvdumps.com</a>
Dometic Corporation .....	800.544.4881	RVP (Coleman) .....	316.832.4357
Fantastic Vent .....	800.521.0298	RVP (Suburban) .....	423.775.2131
Fleetwood RV .....	800.322.8216	Splendide .....	800.356.0766
Freightliner Chassis Corp .....	800.385.4357	Theftford Corp. ....	800.521.3032
General Electric .....	<a href="http://www.geappliancs.com/geac/">www.geappliancs.com/geac/</a>	Velvac .....	800.783.8871
Goodyear Tire & Rubber .....	800.321.2136	Winegard .....	800.288.8094
Intellitec .....	800.251.2408	Xantrex Technology .....	800.670.0707
Kidde Safety Products .....	800.880.6788		

## SUMMARY OF BOARD OF DIRECTORS MEETINGS

### August 8, 2005, York PA

In attendance: Phil Yovino, Tom Fields, Mac McIlvaine, Pete Pizzano, John Baker, Garry Shirey, and Dick Snyder. Also present: Becky Godwin, acting secretary.

1. CTO: Phil Yovino 2:22 p.m.
2. Minutes from Lazydays regional rally 2005, read and approved with one correction. Discussion regarding role and responsibilities of newly formed Advisory Board.
3. Old Business: None
4. New Business: Ref. improving total membership: Currently 1330 members. Include packet in each new Discovery sold: application to DOAI and newsletter.
5. How to reach used Discovery buyers? Review previous decision on whether or not to allow Fleetwood motor homes other than Discoverys as members of the DOAI.
6. Motion and second to offer free first year membership to new coach buyers. Discussion: motion withdrawn pending investigation of how many new coaches purchased in a year and the financial impact on the club.
7. Tom Fields presented proposed changes to standing rules. Motion to incorporate previously approved changes.
8. Phil indicated reorganization of the former California Goodtimers is in progress.
9. Meeting adjourned.

### August 12, 2005, York, PA

In attendance: Phil Yovino, Tom Fields, Mac McIlvaine, Pete Pizzano, John Baker, Garry Shirey, Dick Snyder. Also attending: Becky Godwin, acting secretary.

1. CTO: Phil Yovino
2. Minutes of 8-8-05 read and approved
3. Discussion resumed regarding offering first year free membership to new buyers. New members for 2004 was approximately 320. Based on this number the treasurer advised it would take 3½ to 4 years to break even financially. Decision was made to utilize the new brochures and word of mouth to promote membership.

4. Board members assigned action items to provide input on how to retain current members.

5. Discussion on how to increase rally attendance. Increased rally fees and high cost of fuel blamed for small attendance. The board felt most are willing to accept higher cost for quality presentation and accommodations. Suggested: more central locations. Most members indicated preferred each region host their rotation. Pete Pizzano took an action to gather the major rally event schedule for the next six years and will provide to the board.



6. New Business: Becky Godwin presented proposed change to standing rules to limit board membership to one person per coach. Discussion determined this would require bylaw change. This will be presented to the board members in written form for vote via e-mail prior to the region rally in January 2006.

7. Garry Shirey presented plans for the 2006 national rally in San Antonio, TX October 2-7, proposed registration fee \$200. Proposed budget presented, motion and second to accept. Passed.

8. Motion to purchase Canadian flag and pole was made, seconded and approved.

9. Phil Yovino requested after action report from each rally master on this rally in effort to improve future rallies.

10. Discussion regarding election of regional vice residents. Each region elect their own vice president in lieu of the entire membership voting for each region. To be discussed at January 2006 regional rally as to how this can be accomplished.

11. Meeting adjourned. \*

## SUMMARY OF ANNUAL MEETING

### Thursday, August 11, 2005, York, PA

1. CTO: Phil Yovino
2. Phil thanked the corporate sponsors, chapter sponsors and all the volunteers for an excellent national rally.
3. First-time rally attendees were recognized
4. National officers were recognized, as well as other chairmen, plus acting

secretary Becky Godwin.

5. Minutes from 2004 national meeting in Sedalia, MO read and approved as amended.
6. Treasurer's report was submitted and approved.
7. Chapter presidents in attendance were recognized.
8. Nominating committee report presented, and floor opened to further nominations. No further nominations were forthcoming. Slate presented by nominating committee will be published in Fall 2005 issue of newsletter.
9. Details of balloting were given.
10. Details of Southeast Region rally in January 2006 were provided.
11. Planning status of 2006 national rally was presented.
12. Old Business: Question of continuing first aid training. Phil indicated additional CPR and AED training needed is the responsibility of each chapter.
13. New Business: Question asked how to purchase Discovery flags. This will be researched.
14. Three board actions initiated since Sedalia to improve DOAI:
  - a. Budget approved to print newsletter cover in two colors; subsequent advertising funds received enabled move to full color cover.
  - b. 20,000 brochures were published to help recruit new members.
  - c. The advisory council was established which provides procedures to resolve issues with Fleetwood when the normal process fails.
15. Suggestion made to examine possibility of a fuel discount card for DOAI members.
16. Reminder to all that membership number is on label of every newsletter.
17. Participants thanked for purchasing quilt tickets.
18. Current membership is at 1,350.
19. Various individuals recognized for their service to DOAI.
20. Suggestion made to demonstrate to communities how much money a rally brings to their town.
21. Meeting adjourned. \*

*Editor's Note: The full minutes are available to any interested DOAI member. Contact Becky Godwin, secretary, at beckygodwin@msn.com*

## TRI-CHAPTER FRIENDSHIP RALLY

by Pete Pizzano

The conversation between Mr. Holiday and Mr. Glenn in the last DOAI newsletter gave excellent reasons why all DOAI members should plan to attend the January 26-February 1, 2006 winter rally at Lazydays RallyPark in Seffner, Florida. Many of the newly-elected club officers will be on hand to welcome you, answer questions, and listen to your comments on how to improve the club's infrastructure. For the next two years, this newly elected board will make decisions governing the DOAI as it strives toward excellence.

Lazydays rally is a regional rally. Unlike national rallies, regional rallies do not provide free maintenance service by Fleetwood technicians. We will, however, receive free service from Freightliner. Larry Doerr, DOAI's good friend, will give a seminar on the Freightliner chassis and Freightliner technicians will assist those needing emergency service. Bill Hendrix, the Dometic representative, usually visits our rally to give advice on emergency awning and refrigerator repairs. Bill Hazell, Lazydays-employed classroom instructor, always conducts seminars on RV topics. Barney Alexander, the calm and cool driving instructor, will give classes and road experience. Those choosing to take Mr. Alexander's class must register early. Call 888.626.7800 and ask the operator to transfer your call to Mr. Alexander's office. You **must** register early. I stress "call today, don't procrastinate." Members have already registered. Once the class is filled, it is filled. Usually enrollees learn to drive a 2006 Discovery.

Jayne Fairley, the Fleetwood representative, always has an adequate number of new and used Discoverys to view and purchase. Caterpillar has annually donated gifts supporting our rally. This year, there is a strong hint we might have a representative visit to give a seminar on the Cat diesel engine. Cummins is experiencing an adjustment of personnel and as of this writing, are unable to commit to sponsorship or seminars.

Lazydays is a city of various motor homes, fifth wheels, C class, B class, travel trailers, and pop-ups. There are many RVs to see. Little known is Lazydays' parts store. It is located in the front line of the service bays. Should you contemplate RV service at Lazydays, make your appointment three months in advance of the rally date.

The three chapters preparing for the winter rally are working hard to have everything in order for your arrival. RallyPark and I remind you, the assigning of sites is very flexible. No one is assigned or guaranteed a specific site. There will be an attempt to park you with or near your friends.

DOAI has reserved a limited number of sites. To reserve the entire park and not occupy all the sites is price prohibited. Lazydays RallyPark rents out the remaining sites to other RV'ers. Rally attendees will be expected to wear their name tags at all times, a means for our sheriff to identify you as a paid welcomed person at dinner, entertainment, and seminars. As in previous years, it was necessary for DOAI to share RallyPark with lesser-sized group rallies.

Lupton is our caterer, and scheduled by popular demand is the shaved roast beef dinner. There is always enough for the hearty appetite for seconds. On the final night, a delicious meal of southern fried chicken to please the taste buds of the "finger lickin'." The three chapters grant permission to pick up the chicken with your fingers and *bon appetit*.

We have limited space for vendors. In our scheme of things, we plan some vendors to have booths in the big hall, and some at their sites. Support our vendors.

The entertainment that is under contract is the best: the New Odyssey show always receives a standing ovation. People enjoy their humor and music. The Bellaires, a newly formed local quartet, will entertain with their harmony and large library of old and new hit songs.

The Sunday picnic is a first-time event at a DOAI rally. On Sunday, car pooling, we travel to Boggy Bottom for a day of relaxing, games, walking, and a Lupton's BBQ. Bring your appetite. The staff at Boggy Bottom will direct you to the parking area. The newly refurbished restrooms are clean and modern.

Lazydays does not offer breakfast on Sunday. The sponsoring chapters have agreed to prepare a continental breakfast.

Unknown to Mr. Holiday, this Tri-Chapter Friendship Festival was named after him. This rally is a holiday: five nights, six days of food, entertainment, seminars, and camaraderie, **and a picnic**, for \$42 a day.

Pack up your troubles and aching bones, put them in a dusty trunk, place the trunk in the attic, jump into your Discovery, and join us in Florida for an enjoyable holiday.

February is strawberry time in Florida. Parkesdale Farms, a short distance away, makes the most scrumptious shakes and strawberry shortcakes.

RallyPark is centrally located for those who wish to visit amusement parks and casinos. All are within two gallons of gasoline away.

Don't hesitate: send in your registration form today. See you now, ya hear?!

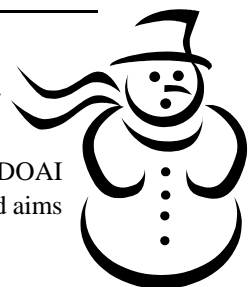
Your hosts, Pete, Marshall, Manuel and Dick. Behind each of us is our loving wives whom we thank for their support, labors, shoves, and pushes.



## MORE THANKS!

FROM DOROTHY DEVINE: "Many thanks to all of you who sent cards and kept me in your prayers. I am feeling better, but am not yet 100 percent well. I'm taking it one day at a time, and I count all of you as part of my (and Jim's) greatest blessings!"

FROM BOB SOLTWEDEL: "Thank you for electing me to the office of Northwest Region vice president. I will do my best to represent the interests of DOAI members, and to fulfill the mission and aims of DOAI."



**GOOD FOR YOU!**

All too often we only hear complaints from RV owners about sales and/or service. This column is for all DOAI members to share good news about the many excellent RV sellers and service centers in our country. If you have a candidate in mind, contact the editor ... we're waiting to hear from you.

Jack and Kathy Harootunian of Springfield, Missouri write: "This year's rally in York was the first rally we attended. We met a number of nice folks, learned a lot about our Discovery motor home and generally enjoyed ourselves. This was a great experience. We are already planning to attend next year's rally in San Antonio.

"Norcold is at the top of our great experience list. While at the rally and just prior to Rafael Hernandez presenting a seminar on Norcold's RV refrigerator, we had the opportunity to discuss with him a problem we were experiencing with our Norcold refrigerator. The refrigerator was not maintaining a cool enough temperature. Mr. Hernandez is Norcold's team manager of field training and technical writing. He committed to look at our refrigerator after he presented his seminar. He came to our Discovery and examined the refrigerator inside and out, as well as climbing on the roof to look at the venting. As you will recall, it was a hot day to be on the roof of a motor home, but this did not stop him.



After an examination of the refrigerator, Mr. Hernandez invited us to bring our Discovery to Sidney, Ohio where Norcold's Customer Service Center is located, as he wanted to further evaluate the refrigerator and make any necessary repairs. Rafael took the time while at our Discovery to give a few of us Discovery owners a lesson on the operation of the Norcold refrigerator.

"About a week after the rally we kept our appointment. After further examining our refrigerator, Mr. Hernandez determined that there was damage to the refrigerator due to improper venting. He then replaced the refrigerator with a new one and modified the vent exhaust. This exceeded our expectations of what might be accomplished while at the service center. After the new refrigerator was installed and after we arrived home, we had some questions. We called Mr. Hernandez. He returned our call and called us a second time to follow up to be sure we had a complete understanding of the operation of our new refrigerator.

"Rafael Hernandez truly represents the best qualities of a company representative, in this case, Norcold. Obviously, Norcold stands behind his decisions to take care of owners of Norcold's products.

"We are truly pleased for the opportunity to have met Rafael Hernandez, Norcold's representative, at the Discovery rally. Mr. Hernandez and Norcold have gained our full respect and customer loyalty. We give Norcold an A+ for customer service." \*

**SHARE THE GOOD/BAD NEWS**

If you've read the preceding article, you know that telling the rest of the DOAI membership about your good experience is a positive step forward in developing good relations with dealers and service centers.

There's a second avenue open to you as well: posting your "rating" on the Internet at <http://rvservicereviews.com>

This website contains a number of interesting reviews of dealerships, service centers, and repair facilities across the country. As of the latest count, 782 reviews have been posted.

If you wish to check out a facility before you take your D in for service, visit this site. You can browse by



state, and some states have more reviews than others. You can also browse by vehicle type. It's entirely possible that the facility you've chosen hasn't yet been reviewed. If you do use that facility, be sure to post your review as a service for others.

Of course, not all reviews are praises. There are a number of negative reviews, and these could help you avoid possible difficulties by checking it out in advance.

A DOAI couple had an unfortunate experience at a repair facility several months ago. They have been urged to post their information on the website, so that others will be forewarned.

It's easy to post your review: at the home page, simply click on "click here," and you'll be taken to the page where you can enter the information." \*



## IMPORTANT EGROUP INFORMATION

by Bob Cook, DOAI Webmaster

### Update Your E-Mail Addresses!

One of the many benefits of belonging to DOAI is access to the eGroup. Many members find that this is an excellent way to learn about their Discovery motor home, and share a multitude of information ... everything from computers to parts to trip advice, and more.



However, eGroup membership requires two things: you must own a Discovery, and you must be a paid-up member of DOAI.

Periodically, the eGroup membership is checked against the DOAI member rolls to eliminate those who no longer belong to DOAI. **This is determined by e-mail address.** Some members use a different e-mail address for the eGroup than their regular e-mail address. The membership directory (accessible from the INFO, MEMBERS page on the DOAI website) was recently revised to contain a column for your eGroup e-mail address, if it is different from your regular e-mail address.

Please send any e-mail corrections or additions to our membership director, Portia Williams, at [rgwilliams@sisna.com](mailto:rgwilliams@sisna.com) This will eliminate your mistakenly being removed from the eGroup during the audit process. ✨

## IMPORTANT MEMBERSHIP INFORMATION

by Portia Williams, DOAI Membership Director

### Tell Us When You Move!

I appreciate Bob's article (see left hand column), and would like to add a bit to it.



We need to hear from you when you change your mailing address, and/or when your telephone number changes, or when you get a cell phone, or when your e-mail address changes, etc.

But especially, we need to hear from you when your mailing address and phone number change.

It costs us about 75¢ to mail the newsletter to you; if it's returned to us because the forwarding time for your mail has expired, it costs us another 75¢. Once I learn of your new address, it costs 83¢ to mail a replacement copy (the difference in postage costs is because the initial mailing of the newsletter is made at a pre-sorted first class rate; when a single copy is mailed, it's at the regular first class rate).

That means the total cost to get a newsletter to you ends up around \$2.33, and this cost will increase in 2006 because the postage rates are going up.

So, please let me know when you move. You can send an e-mail or you can call toll-free (888.594.6818) ... whatever you choose ... just let me know. Many thanks! ✨

## CHAPTER REPORTS

### Texas Disco Road Runners

by Garry Shirey

The Texas Disco Road Runners (seven of us anyway) met at the Texas State Park/Galveston Island for fun and games and lots of good sea food. The event we came to see and participate in was Dickens on the Strand. This is a yearly event portraying the characters from Charles Dickens' "A Christmas Carol." It was great to see people dressed up in period costume and funny to see some, dressed to the nines (after putting yourself back in that time frame), talking on a cell phone or the women smoking in public (horrors!), or seeing a beautiful costume with that person wearing sneakers. There were bagpipe bands and magicians, story tellers, top hats and tails, men and boys wearing "knickers," and plenty of vendors to go around. There were pirates, London urchins, carolers, bikers riding the large-wheeled bikes with the small wheel in the back, and a fellow swallowing swords. The Texas Confederate Army was present to show how soldiers might have lived in the field in that time. All very interesting and a lot of fun.



We all enjoyed the tours of the Priest Castle and the Aston House. Our tour guide at the Aston House, Liz, was a delight to be around. She told us all about the past residents of the Aston House and even some of the well-kept family secrets.

For the most part the weather was favorable in that it didn't rain until the last night, and then the wind picked up and came out of the north and was blowing in around 25-30 miles

an hour and cold. We all got home safe and sound, anticipating the coming of Christmas and the results of our DOAI elections.

I want to thank those who voted the way they did and hope for a good turn out. To those who voted for me to be the South Central Region vice president, I thank you from the bottom of my heart.

Have a happy traveling New Year. Be safe and drive carefully, for the life you save may well be mine. See ya down the trail! ✨

### Louisiana Mudbugs

by Anne Gros, Carolyn Barnes, and Sam Williams

Three Discovery Mudbugs left Ruston together for York, PA. We met up with a fourth one in York. The group included the Keith Barnes, Howard Campbells, Mac McIlvaines, and Sam Williams'. We enjoyed touring around the York area as there was much to do and see. We also got to go the Amish country around Lancaster, PA. We enjoyed the rally and got to see old friends and met new ones while there.



Mudbugs president  
Carolyn Barnes

After the rally was over, three of the Mudbugs and one of the Texas Disco Road Runners left for other parts of the country before returning home after the first of September.

If you listen to the national media, you may get the impression that Katrina was the only hurricane to hit the Louisiana coast. Actually Rita, the hurricane that hit the Lake Charles area, created more personal devastation for Louisiana

*Continued on next page...*



**CHAPTER REPORTS, CONTINUED**

for Louisiana Mudbug members Howard and Mary Campbell and Alfred and Betty Miller, who reside south of Lake Charles. What do you do when you are told by the authorities to evacuate the area? You get in your D and head for the mountain, which in Louisiana is Driskill Mountain, elevation 535 feet (the only mountain in Louisiana). Fortunately for the Campbells and Millers, the mountain is about five miles from Louisiana Mudbugs Sam and Deezy Williams and Joe and Glenda Reed. The Campbells settled in at the Williams' for ten days and were able to return to their home (less electrical power) after



Mudbugs at Toledo Bend...a great group!

finally being able to purchase a generator in Monroe, Louisiana. The Millers settled in at the Reeds' for 14 days, and then returned to what was left of their home. Unfortunately,

the Millers' home suffered major damages and at this writing, they are still living in their D.

Another casualty of the hurricanes Katrina and Rita has been the rolling rally that the Louisiana Mudbugs were putting together to reciprocate with the Discovery Texans and the Texas Disco Road Runners for the great Big Bend rolling rally back in April. Due to the hurricanes, some of the RV parks are totally out of operation for some time, and the ones that are functioning are full of recovery workers. For these reasons, the rolling rally has been delayed until spring of 2007 and we will try again.

Our last rally of 2005 was held November 11-13 at North Toledo Bend State Park in Zwolle, LA. The rally was hosted by Jan and Mac McIlvaine of Zwolle, and Sam and Deezy Williams of Simsboro. Twelve member coaches, and one guest coach, made the trip. The water at Toledo Bend was at a record low, but we enjoyed the beautiful state park.

Rallies in the works for 2006 are, Lincoln Parish Park April 28-30, and Bayou Wilderness in Carencro November 3-5. Other rallies TBA. \*

**Dixie Travelers**

by Howard Taylor

The Dixie Travelers met the first week of November at the Hollywood Casino, Tunica, MS for the fall meeting. We had a wonderful attendance: Bert and Joan Belcher, Bill and Myrtle Florence, Randall and Sue Gilliam, Evan and Danny McCarley, Bill and Jean McCleod, Jerry and Frances Putman, Manuel and Jean Salter, Kenneth and Alice Stanley, Leo and Linda Stonecipher, Howard and Audrey Taylor, Thomas and Martha Wilson, and new members Roy and Hilda Moore and Robert and Joyce Johnson. The facility was wonderful. We had all the amenities needed for camping. We enjoyed meals at the casino and we had a room for our gatherings to work, have fun and enjoy our



evening meal.

Our hosts did a wonderful job in planning our schedule. Our first gathering was on the campground with covered dishes that fit our palate. The ladies worked on the Lazydays rally decorations and got that job wrapped up. Thanks to Alice and Jean (and others) who made the plans and bought the materials.

I think everybody enjoyed exploring the area and Tunica. The men especially enjoyed trading information they have found that works in making their motor homes even more comfortable.

Our Saturday night dinner and business meeting was held in the room provided by the casino. The meal was delicious and bountiful.

Our May 4-6, 2006 chapter meeting will be at the North Alabama Fairground in Muscle Shoals, AL. Members may arrive as early as Monday. The cost is \$15.00 per night. At the present time, the fall 2006 meeting at Biloxi, MS is on hold due to the hurricane.

Our chapter is serving as one of three hosts for the January Lazydays rally. Please make your reservation through your **Discovery EXPRESS** magazine. Contact Manuel Salter or Ken Stanley if you have questions about our responsibilities.

Happy camping! \*

**Mid-South Roadrunners**

by Marshall Mauck

Our thoughts and prayers go out to several of our members: Ed Bertsch, recovering from a massive heart attack; Dick and Brenda Snyder, the loss of a son; Art Tobin, recovering from a triple bypass; Sharon Metcalf, recurring cancer; Ray Beinlich, back with us after a fall from his brother's roof; and Jim Lee, recovering from colon cancer.



After hurricane Katrina abruptly interfered with our planned rally in New Orleans in November, our treasurer, Sharon and John Metcalf, decided to host a rally in Washington, NC. When Sharon unexpectedly became ill again, we postponed that rally until a later date. Sharon has been our secretary/treasurer for several years and has stepped down in order to focus entirely on her recovery from cancer. We will all miss her dedication to the chapter. Sharon, our prayers and thoughts are with you. Louise Mauck has volunteered to serve as our interim treasurer until our next election.

Our chapter held a super seven-day rally in Pigeon Forge, TN. We took in several excellent dinner and breakfast shows, ate lots of good food including breakfast by the campfire, and we did lots of shopping. The Christmas lights are beautiful in Pigeon Forge, Dollywood and Gatlinburg during the Winterfest. We had 22 coaches, in spite of the two-day rain and the cold weather.

We will start 2006 off at the Lazydays rally in January as co-host chapter supporting Pete and Alice Pizzano, rally masters, to put on another fun-filled Southeast Region rally.

Chapter members Carl and Pat Pruett are resident managers at the Brookwood RV Park at Parrish Lake, Metter, GA. They will be hosting a rally, March 23-26, 2006, during which time we will be touring the historical district of Savannah, GA as well as a dinner show cruise on the Savannah

*Continued on next page...*

## CHAPTER REPORTS, CONTINUED

River Queen showboat. If anyone would like to attend this rally, contact me or give Carl a call at 888.636.4616. This campground is a good stop-off point for us snowbirds returning home in the spring.

From there, we will be headed to Rayne, LA April 2-9, 2006. Louise and I plan to host a Christmastime rally in Williamsburg, VA in early December 2006. These are just some of our rallies for now, as there will be more. \*

### Midwest Discoverers

We gathered together in beautiful upstate New York, Clayton/Alexandria Bay area, for our fall rally. Our rally hosts, Dave and Lora Gibson, supplied us with a rally that will leave treasured memories and lots of laughs. We toured the Antique Boat Museum, had a glass bottom boat ride around the 1,000 islands (no, we did not get to see all 1,000), and of course had several meals together. This was just the start of the fun.

On the night of our potluck dinner, the weather did not cooperate and it was cold and raining, but we would not be stopped. We all, total of 19 people, gathered into the humble



Midwest Discoverers getting ready to tour the 1,000 Islands by water.

coach of Dave and Lora to sit down to eat a hearty meal. And people say that these coaches are only built for two. It was just a little crowded, but it sure was a lot of fun. Don't let anyone ever say you cannot entertain in your coach. Dave and Lora did a fabulous job of keeping all of us well fed and happy.

We held our chapter meeting before the bad weather came in. We elected our new officers: President, John Wimer; Vice President, Jack Romeyk; Secretary, Cindy Merkt; Treasurer, Dick Holmes; and Rally Coordinator, Dave Drinkwater.

We will be heading off to the Scenic Hills RV Park in Berlin, OH June 5-9. Please come join us. Dave and Diane Drinkwater will be hosting this rally and they have a lot of experience to put into the rally, so a great time is sure to be had by all. \*

### Heartland Discoverys

Our chapter activities go on hold as the cold weather sets in. I hope all members were able to vote for the 2006-2007 leaders. The chapter forwarded \$100.00 to be included in the aid for Katrina victims. We hope that area of our nation is getting back on its feet.

Our membership looks forward to some exciting rally activities in 2006. Hope

by John Wimer



coach of Dave and Lora to sit down to eat a hearty meal. And people say that these coaches are only built for two. It was just a little crowded, but it sure was a lot of fun. Don't let anyone ever say you cannot

entertain in your coach. Dave and Lora did a fabulous job of keeping all of us well fed and happy.

We held our chapter meeting before the bad weather came in. We elected our new officers: President, John Wimer; Vice President, Jack Romeyk; Secretary, Cindy Merkt; Treasurer, Dick Holmes; and Rally Coordinator, Dave Drinkwater.

We will be heading off to the Scenic Hills RV Park in Berlin, OH June 5-9. Please come join us. Dave and Diane Drinkwater will be hosting this rally and they have a lot of experience to put into the rally, so a great time is sure to be had by all. \*

by Elfers Marzahl



to see many of you in Florida at the Lazydays Tri-Chapter Friendship Festival. \*

### Discovery Texans

We rallied at Lazy RV Park in Victoria, TX in September, with 26 rigs in attendance. We took a special two-hour tour of the old Victoria County courthouse, and many of our group toured the Museum of the Coastal Bend.

Our most recent rally was in November at the I-35 RV Park in Elm Mott near Waco. It was filled with good food and conversation. Host teams did a super job preparing and serving breakfasts and dinners all three days of the rally. On Friday, a guided tour and lunch at the Homestead Traditional Crafts Village was attended by 25 of the group. The tragic death of one of our members, Debbie Trent, gave us pause to look at and discuss ways we can be safer in our motor homes.

We also elected new officers: President, John Baker; Vice President, David Zipp; Secretary, Wilma Stark; Treasurer, Laverne Fisher; Rally Master, Joe Stewart; and Past President, Tom Fields.

It's round-up time again! Join all Discovery Texans for the annual reunion rally at Red Oak Ranch RV Park near Hempstead on January 19-21. All former Discovery Texans have been invited if we have their address. If you are still in touch with a former member, check with them to make sure they know about the rally, and extend this invitation to them. There is no rally fee for this one, but reservations must be made and everyone pays for their own site fees. Contact Laverne Fisher at 281.252.5986 or e-mail her at [jfishertok@aol.com](mailto:jfishertok@aol.com) to reserve a spot for your rig. Spaces are limited, so contact Laverne soon. \*

### Mason-Dixon Discoverys

The Mason-Dixon Discoverys have had a great year. We had some really great and successful rallies and I want to thank those involved for their effort. We are less than two years old and we have grown to about 34 couples.

We had our first experience at helping out with a national rally this past August and I was amazed at how our members stepped in and volunteered to help out and everyone seemed to love it. I thank all of you for your help.

We are co-hosting the Tri-Chapter Friendship rally at Lazydays in January. It looks like most of our chapter is

*Continued on next page...*

by Elsie Sikes



John Baker, new Discovery Texans president.



Discovery Texans at Museum of the Coastal Bend

by Dick Smith



**CHAPTER REPORTS, CONTINUED**

going to be there. Yes, I will have some little jobs to be done, but I promise you that you will have plenty of free time, so it's not too late to make plans to come on down.

The results of the election are in and I congratulate the following members of our chapter for their election: Marshall Godwin, vice president of development; Pete Pizzano, Southeast Region vice president; John Zidek, Northeast Region vice president; Becky Godwin, secretary; and Louise Mauck, treasurer. Looks like our chapter is going to take an active part in the leadership of our DOAI.

I congratulate everyone who was elected to an office. I thank everyone who voted for me. We fell a little short this time, but I do not feel that there are any losers in DOAI as long as we keep it the **Discovery** Owners Association. I pledge to continue to work to keep it that way.

As I write this we have two members, Arlene Ritchie and Patty Headley, who are dealing with health issues. I ask that you remember them in your prayers as they recover.

God bless, happy New Year and I hope to see everyone at Lazydays. \*

**Discovery Pioneers**

*by Joyce Wiechman*

Our Pioneers season closed with a Labor Day rally in Estes Park, CO. Our hosts, Bob and Sandy Greenwell, showed us a wonderful time.

Many of our Pioneers enjoy warmer climes in the winter months as well as enjoying their Ds. Jerry and I will be hosting our second annual winter mini-rally in Mesa January 4, 2006. We had such a fun time last year, we thought we should do it again.



Plans are already in motion to start next year's season. Our first rally will be May 4-7, 2006 at Santa Fe Skies RV Resort, Santa Fe, NM. Make plans to come join us. More information will be sent out later.

I congratulate Bob Soltwedel on his landslide victory for the Northwest Region as vice president. Our thanks go out to him for taking on this obligation and wish him well. These organizations don't run themselves; it takes dedicated people.

Enjoy your winter wherever you may be. Mark your calendars now to attend as many of the summer rallies as possible. Our hosts go to lots of work to prepare for rallies and it is disheartening not to have a good crowd. Diesel prices are a little more acceptable. Let's see our great country from the windows of our Discoverys. \*

**FOUNDERS' FORUM** *by Jim and Dorothy Devine*

The universe started with a "big bang," propelling it into the vast reaches of space. Using this word picture, I hope to convey a sense of energy, motion and movement ... the start of a great adventure.



Now, in your mind's eye, imagine not a planet but a person making a journey ... not to a distant solar system, but exploring and discovering the many wonders of our own world, Planet Earth.

For us, our life or asteroid was very predictable ... it traveled the same orbit in our little solar system, day after day, year after year, encountering the same other asteroids

The cataclysmic event that brought about our personal "big bang" was retirement. Suddenly, we were not confined to a predetermined orbit or fixed timetable! The atom was split! And a whole new universe appeared before us! Our starship was the spaceship Discovery.

As we traveled at the speed of light (minus 185,945 miles per hour), we encountered solar systems much different from our home galaxy; there were fewer asteroids, less noise, the heavens were brighter, the atmosphere cleaner, and the indigenous inhabitants were friendly.

We interacted with the inhabitants and other explorers like ourselves and entered into treaties, formed alliances to benefit each other. We established lines of communications, planned and organized meetings to meet and exchange information.

I am having so much fun with this story that the point I am trying to make is taking too long to surface. Bear with me for a little longer ... we are getting close to the crux.

The universe is expanding, but at some point it will slow down. Our own personal universe will slow down, our orbit moving closer to our home planet. We all know this ... but most of us think we are in a time warp and have plenty of time ... not so! Now is the time to go on your personal adventure! Believe me, the friends you make along the way will be your greatest reward and will sustain you as your world shrinks, as it inevitably will.

Dorothy and I cannot envision our life without our Discovery; it is our starship, our passport to the many worlds beyond. It is in many ways our lifeboat; friends we made because we had the Discovery have helped us through tough times and have given us laughter, the elixir of life.

Please take advantage of your spaceship! \*

**AND MORE THANKS!**

**FROM MARSHALL MAUCK:** "I congratulate Tom Fields on his reelection to the position of executive vice president. I also congratulate the other board members. I thank all of my supporters for their vote."

**FROM JOHN ZIDEK:** "As the new Northeast Region vice president, I thank all who participated in the election. This is

your organization, and I will do my best to meet each and every one of the Northeast members. My wife and I are adjusting our schedule to participate in the Northeast rallies. I look forward to hearing your wishes and desires for the future of DOAI, and the Northeast chapters. My thanks to John and Dorie Baker for their support, and look forward to their continued assistance and help. Jean and I look forward to meeting many of you at RallyPark this January." \*

**RALLY SCHEDULE**

**JANUARY 2006 –**

- 19-21 Discovery Texans, Red Oak Ranch, Hempstead, TX
- 20-22 Northwest Adventurers, Bluegrass Festival, Blythe, CA
- 23-27 Northwest Adventurers, Quartzsite, AZ
- 26-31 Southeast Region Rally, Tri-Chapter Friendship Festival, Lazydays RallyPark, Seffner, FL**

**MARCH 2006–**

- 16-18 Discovery Texans, Tres Rios RV Park, Glen Rose, TX
- 17-19 Florida Discovery Rolling Gators, KARS Park, Merritt Island, FL
- 23-26 Mid-South Roadrunners, Brookwood RV Park, Parrish Lake, Metter, GA

**APRIL 2006 –**

- 2-9 Mid-South Roadrunners, Rayne, LA
- 28-30 Louisiana Mudbugs, Lincoln Parish Park, LA

**MAY 2006–**

- 1-8 Florida Discovery Rolling Gators, Jolly Roger RV Park, Grassy Key, FL
- 4-6 Dixie Travelers, North Alabama Fairground, Muscle Shoals, AL
- 4-7 Discovery Pioneers, Santa Fe Skies RV Resort, Santa Fe, NM
- 18-20 Discovery Texans, Shallow Creek RV Park, Gladewater, TX

**JUNE 2006 –**

- 5-9 Midwest Discoverers, Scenic Hills RV Park, Berlin, OH
- T/B/A Discovery Pioneers, Mesa Verde National Park, CO

**JULY 2006 –**

- 13-16 Discovery Pioneers, Garden of the Gods RV Park, Colorado Springs, CO

**SEPTEMBER 2006 –**

- T/B/A Discovery Pioneers, Antonito, CO
- 12-18 Midwest Discoverers, Mackinaw and Sault Ste. Marie

- 21-23 Discovery Texans, Wilderness Lakes RV Park, Mathis, TX

**OCTOBER 2006 –**

- 2-7 National Rally, Discover the Alamo, Blazing Star RV Resort, San Antonio, TX**

**NOVEMBER 2006–**

- 3-5 Louisiana Mudbugs, Bayou Wilderness, Carencro, LA
- 16-18 Discovery Texans, Skyline Ranch, Bandera, TX

**DECEMBER 2006 –**

- T/B/A/ Mid-South Roadrunners, Williamsburg, VA

**2007 –**

- T/B/A National Rally, Southwest Region**

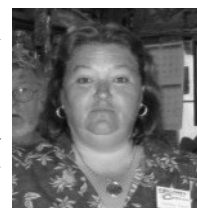
**June 2007 –**

- T/B/A Discovery Pioneers, Black Hills, SD \*



Please keep these DOAI members in your thoughts and prayers, and let the editor know of anyone who should be remembered in the next edition.

...**Clayton Trent** and family, upon the death of **Debbie Trent**, in a fire in their motor home. We pray that Clayton will continue to be surrounded by God's loving presence.



Debbie Trent

...**Dick and Brenda Snyder** and family, upon the death of their son, David, from a heart attack in late September. The Snyders write: "Thanks so much for David's memorial donation. Your donation will be used at Trinity Lutheran High School for equipment in the FFA greenhouse. David enjoyed being involved with trees, plants, and flowers. Thanks again for the generous donation from the DOAI members." We pray that Dick and Brenda will continue to be surrounded by God's loving presence.



David Snyder

...**Sharon Ayer**, her family, and her husband, **Sonny Springer**. Sharon is still in a full-care facility and has suffered several more heart attacks. The prognosis is not positive. We pray that God continues to watch over Sharon during this difficult time.

...**Arlene Ritchie, Patty Headley, Sharon Metcalf, Jim Lee, Ray Beinlich, and Ed Bertsch**, all with health problems. We pray each of them will experience complete recovery in 2006. \*

FLEETWOOD TECHNICAL INFORMATION: UNDERSTANDING YOUR DISCOVERY WARRANTIES

by Terrence Mills

The road, as they say, goes on forever, but unfortunately warranties do not. We may all think we know our warranty coverage limitations, but what we tend to lose track of is that the Discovery is not an automobile.

Your Fleetwood 12-month/15,000 mile limited warranty covers the 12-volt DC and 120-volt AC wiring, the fresh water, drain water, and liquefied petroleum gas plumbing.

A common question is, "My coach had 1,500 miles on it when I bought it. If the Fleetwood warranty is good for 15,000 miles, then shouldn't my warranty run to 16,500 miles?"

Your best protection is to read the owner's manuals that come with the coach and familiarize yourself with the additional coverage provided by many of the component manufacturers.

There are a number of items that are not covered under the Fleetwood warranty. These include:

- \* Consumable items such light bulbs, fuses, wiper blades, lubricants, tires, and batteries.
\* Incidental and consequential damages such as transportation to and from a dealer or Fleetwood service center, loss of time or commercial income, inconvenience, loss of use, towing charges, bus fares, vehicle rental, phone calls, or hotel bills.
\* Fair wear and tear such as sun fading of fiberglass, fabrics and drapes or wear to the carpet. Also included in this is wear due to environmental conditions such as hail, road salts, or chemicals
\* Defects caused by or related to abuse, misuse, negligence, accident, alteration, or modification (to include any modification of the odometer).

- \* Any damage caused by or related to failure to comply with instructions contained in the Owner's Information Package.
\* Any losses, damages, or claims stemming from microbial action, including but not limited to mold, mildew, fungus, and dry rot.

If you are not sure of the warranty and need a repair on a vendor-supplied system, you may want to contact them directly to verify the warranty status on the product.

Table listing vendors and phone numbers: Freightliner 800-385-4357, Cummins/Engine 800-343-7357, Allison/Transmission 800-252-5283, Atwood Mobile Products 574-264-2131, Carefree of Colorado 800-621-2617, Carriage Carpets (Shaw Flooring) 877-706-3054, CCI Controls 800-521-5228, Denso (call Fleetwood) 800-322-8216, Dometic 800-544-4881, Fantastic Vent 800-521-0298, Intellitec 800-251-2408, Kidde Safety Products 800-880-6788, Kwikke Products 800-736-9961, Magnadyne 800-638-3600, Onan 800-888-6626, Power Gear 800-334-4712, Riverpark 800-442-7717, RVP (Coleman) 316-832-4357, Suburban (RVP) 423-775-2131, Thetford 800-521-3032, Velvac 800-783-8871, Winegard 800-288-8094

If your component manufacturer is not on this list, then a call to the Fleetwood toll-free customer service number should provide one if the manufacturer accepts calls from the public.

Owners of "pre-loved" Discoverys are protected by Fleetwood transferring the remaining base and structural limited warranties to new owners. However, most of the supplier warranties are non-transferable; therefore, once the Fleetwood limited warranty has expired, you will have to rely on your extended service contract, if you have purchased one.

If you did not obtain an aftermarket warranty at the time you bought your coach, there are a number of companies who will be happy to sell a warranty on an existing coach, once they have had it inspected. Simply typing "RV warranty" into most Internet browsers will provide you with a wide range of companies vying for your business.

Continued on next page...

## FLEETWOOD TECHNICAL INFO, CONTINUED

A final note on your warranty coverage: you may find yourself at the end of warranty with outstanding issues that still require work. A quick perusal of the owner's manual can put a quick end to last minute panic. Chapter 1 states, "Written notice of defects must be given to the selling dealer or manufacturer not later than ten days after the expiration of the warranty period." Be certain that you advise Fleetwood of all outstanding issues, as this will extend the coverage for the specific items for a short period of time to allow you to schedule a service appointment at your Fleetwood dealer.

Don't sit on your problems and hope they will go away and don't compromise your warranty by attempting repairs yourself. There will be plenty of time to hone your skills as a shade tree mechanic. The warranty is there for you to use. If you are in doubt about your coverage, the Fleetwood Owner Relations Department is just a phone call away at 800-322-8216. \*

*Terrence Mills has been with Fleetwood Motor Homes since July 2001, and has provided articles to company publications. Terrence works in the Fleetwood Service side of the company. We thank Fleetwood and Terrence for providing helpful articles for our members.*



## RV TRAVEL SECURITY CHECKLIST

For one minute, try to think the way a criminal would think. If you were at a rest stop looking for your next target or victim, what would you look for? Let's pretend for a moment that you were going to target a vehicle. Which would be more appealing, a car whose owner stopped for a quick bathroom break or an expensive looking Class A motor home, whose owners are out walking their dogs? I don't have the mind of a criminal, but this is an easy choice. That expensive looking

RV probably has expensive contents inside such as jewelry, cameras, and a laptop computer.

Okay, we have come to the conclusion that we, the RV'ers, are the prime target for the criminal mind, so what can we do to protect ourselves? That's what this RV security checklist is for – to give you some ideas on how to protect yourself and your personal belongings when you're traveling in your RV.

by Mark Polk



- \* Don't stay overnight at a rest stop. Rest stops attract criminals. If you stop at a rest stop, it should only be for a short break and then back on the road. Lock the RV and take turns using the facilities, always leaving someone in or close to the RV. Always be on the lookout for anything or anyone that looks suspicious. Keep your cell phone handy in case you need it, and don't open the door for anybody, unless you know who it is.
  - \* Rest stops aren't the only place you need to be concerned about. Every time you stop to refuel there are certain precautions you need to take. It's easy to be vulnerable to a thief at a gas station or a truck stop. I have a bad habit of leaving my wallet on the console of our Class C motor home. The door isn't locked and your spouse is taking advantage of the time to walk the dogs. This is how quickly it can happen. Get in the habit of locking the doors whenever you or someone else is not physically in the RV.
  - \* Most robberies occur at night and most travel-related robberies occur at rest stops, gas stations, convenience stores, and ATM machines. Try to schedule most of your stops during daylight hours, and whenever you stop be aware of your surroundings. If something doesn't look right, leave.
  - \* Wal-Mart or other parking lots where you might stop to get a few hours of sleep can present security problems, too. You should always park in a well-lit area and the entry door of the RV should be facing where most of the activity is. A thief prefers to work where it is dark and where it is least likely to draw any attention. Close your curtains or blinds so it's not possible for someone to look inside. Don't open the door for anybody unless you know who it is.
  - \* As much as we would like to believe that campgrounds are 100 percent safe and secure, don't let your guard down. You don't need to be paranoid, just use some common sense. Don't leave expensive equipment lying around unsecured. Vehicle tow bars, hitches, bicycles, and other items need to be under lock and key.
  - \* Keep any valuables inside the RV, secured and out of sight. It's a good idea to purchase a small fireproof safe to store valuables and important paperwork in. The safe might protect your valuables from the hazards of a fire, but it will still need to be stored in a secure, out-of-the-way place, inside the RV.
  - \* Always lock the RV when you're not physically at the campsite. Do not store valuable equipment in outside storage compartments. Believe it or not, a vast majority of RVs use the same exact key as yours for outside storage compartments. If you store valuables, like golf clubs, fishing gear, or tools in the outside compartments, you may want to have the locks changed.
  - \* Before you leave on a trip, make sure your Emergency Roadside Service Plan is current. In the unfortunate event that you break down on the road, try to pull off in as safe a place as possible and call for help immediately. Stay with the RV until help arrives.
  - \* It's unfortunate that we live in a day and age where we need to take these added measures to protect ourselves. I don't want you to feel like everybody you meet during your travels is a thief or has bad intentions. Just use common sense and be aware of what is going on around you.
- Plan your trip, travel safe and enjoy your RV experiences. Remember, getting there is half the fun. Happy camping! \*
- Mark Polk is a published author in the RV industry, and produces RV training videos and DVDs on how to use and maintain your RV. The goal of his company, RV Education 101, is to make all of your RV'ing experiences enjoyable, fun, and most importantly, safe. Sign up for your free RV Education 101 monthly newsletter at <http://rveducation101.com>*

## EGROUP CONVERSATION

Not every DOAI member participates in the eGroup. In an effort to share helpful information from the eGroup, occasionally we will publish a conversation which may be of assistance to non-group members. This time we feature a question by Mike Maness, and a helpful response by Rod Payne.

### Should I Be Concerned?

Mike Maness posted this question: "I have a 2000 37.5-foot D, which I've had for about 11 months. We've recently moved to Asheville, NC, and are planning to hit the road again for Florida next month.

"The concern I have is if the following events are expected when putting a heavy load on my 275 HP Cummins.

"I was towing my Honda CRV (3,500 lbs) on a U-Haul auto hauler (2,000 lbs) up to Johnson City, TN, to the nearest Blue Ox dealership, to get a towing system installed. I never realized how steep some of the climbs are, and my uphill speed was a wimpy 30 mph, obviously because of the maxed-out weight.

"It was the amount of smoke and diesel fumes that were pouring out of the exhaust that was new to me, since I've never towed anything as heavy, nor up as steep a climb, as this trip.

"The outside temperature was 30° F, and my wife, who was following in our other car, was fumigated.

"Is this typical, or is it possible to overtax these things and cause damage?

"I'm having the D serviced while it's getting fitted with the tow system. Is there anything that I should have them check related to this occurrence? I never had a chance to drive the D after I dumped the load, because they waited for me until after their closing time ... it took longer to make the trip than expected.

"Any thoughts on the subject? I'm hoping that minus the 2,000 lbs of the trailer will make a difference. What are others' experiences towing over steep terrain?"

Rod Payne responded: "FWIW, I'm neither a 'techie' nor a guru; however, I have the stock 275 Cummins in our 1999 37V Discovery with about 60,000 currently on the odometer. We also have the Onan QD genset. We bought her new in Tampa, FL at Lazydays. We are full-timers and have always been since we bought the retirement lifestyle.

"Everything we own (or most of it at least) is in our coach. For the record, we have four MP75 solar panels on elevating and rotating mounts on the roof, ten batteries in the storage bay, an overhead lifting system for my handicapped wife, an electric Super Arm Lift to bring her and her wheel chair into and out of the coach, a Yamaha XT225 street legal motorcycle mounted to the rear of the engine on a steel platform.

"We usually travel with a full, or near full, fresh water tank and hopefully a full propane tank. Our toad is a full-size 1999 Ford E150 van. It has a steel Crow River VanGater II electric platform lift. In the van we have a 45-gallon water box that is

often full of water as well, if we intend to camp somewhere out in the remote regions of the world and aren't sure of the availability or quality of water.

"Inside the van we also have a large trolling motor battery, a tool box, an 18 HP Johnson outboard motor, an electric trolling motor, portable boat gas tank, a three- and a six-gallon gas can, two five-pound propane bottles, fishing tackle box, water hoses, tables, three chairs, two end tables, and a foldable Black & Decker Workmate. On the rear of the van we have an 80-pound MotoTote motor cycle carrier with a 300-pound DRZ400S Suzuki street legal dirt bike mounted thereon. On the top of the van we have a 13'7" three-seater Gregor welded aluminum fishing boat with an Eide electric boat load/unloading device. I have had the rear springs of the Ford improved with two extra leaves.

"I've given you all of this information to let you know that we are probably as heavy as you can get. When we had the complete rig weighed at the A-Weigh-We-Go facility at a DOAI rally, we were told that we were legal if we only towed with our coach water tank half full. (They said that we were overweight if we went out with the water tank full.)

"We have switched from the factory Michels to Toyo Hyperadial S (the M124Z, 265/75R 225 14 ply rating) and we have had all of them 'siped' by Les Schwab Tire Center. The performance of the tires has been excellent. The purchase price was also an excellent buy for us at the FMCA rally in Pomona, CA.

"Now as to our coach's engine performance: as you may know, we live on the west coast. If you want to go somewhere, I can assure you that there will be some significant mountains involved! Our travels have taken us coast to coast, throughout the eastern seaboard, all over Canada, the Yukon, Alaska, and Mexico's mainland and the Baja. Recently, when we crested the Tehachapi Summit (elevation 4,064'), pulling the weight I have detailed above, the slowest speed that we ever got to was 35+; our average speed was 45+ over the summit. I don't recall any summit that brought us to a speed less than 35 mph.

"We've never used a quart of oil between changes. Our average fuel consumption ranges from a low of 9.5 to a high of 13.0 We travel at legal speed via our cruise control, 55 mph in CA and 70 mph in AZ. We love our Cummins! We have a friend who works on modifications for diesels. He is always after me to 'soup up' our Cummins; I won't let him touch it!"



Rod and Linda Payne's fully-loaded D



Linda Payne and Chester Cat

FROM THEN TO NOW, PART FOUR

A brief look back at our beginnings, following the road we have traveled to the present.

Newport Dunes RV Resort in Newport Beach, CA was the site of the West Coast rally, January 9-12, 2000. A total of 75 Discoverys checked in, and those who stood on the ridge above the park and looked out at the array of motor homes stated that it was a sight to behold, all those Ds.

Fleetwood's venerable Jim Pourroy and Don Ayer were in attendance to lead a wonderful technician group, available to address members' repairs, problems, concerns, and future documentation items.

The seminars were filled to capacity, and included presentations by Fleetwood, Cummins, Onan/Cummins, Freightliner, Sharp, Blue Ox, A Weigh We Go, and Mike Thompson RV Super Stores. Four new 2000 models were on display.

Monetary support by Fleetwood in the form of terrific gifts which were auctioned off in a high spirited and laugh-filled after-dinner event, and by Mike Thompson RV in sponsoring the farewell dinner, were much appreciated.

DOAI members volunteered to fill numerous tasks, and this went far in creating an exciting, fulfilling, and enjoyable rally. ❁



Newport Dunes RV Park...a great place for a rally!



A good crowd was there...



...including super Fleetwood techs...



...and so were Dorothy and Jim!

**Special Note:** Does anyone have photos to share from the February 2000 regional rally at Lazydays? It would be great to publish some of them in the Spring 2006 issue of this newsletter. **Please** contact the editor as soon as possible if you can help. Thanks!



As with all preceding rallies, the food was great!



## WEATHERING THE STORMS ON THE ROAD

by Aon Recreation Insurance

Each year, we spring ahead and fall back. Just as April showers bring May flowers, the changing of the seasons means different weather and, subsequently, different driving conditions. These varying driving conditions require adjustments to the normal operation of your motor coach. In some cases, the modification can be as minor as slowing down, while at other times a more proactive approach is necessary. Knowing what adjustments work for each weather condition can give you an edge behind the wheel.

### Wind and Air

Wind is perhaps the most common and least predictable of all weather-related driving conditions. Some vehicles are affected more by the wind than others. Because of the large side surface, motor coaches can get jostled around a good bit by wind. You may have noticed that when you approach an overpass, the air pressure seems to shift by 180 degrees. What once was the wind coming from the left, now seems like it is pushing from the right. To lessen this effect, anticipate the change in wind pressure when you're approaching an overpass. As you draw near, start to release the pressure that you've applied against the wind with the steering wheel, which in turn will make the coach react in a less violent manner when you reach the spot where the pressure shifts.

Vehicles are also affected by the mass of air that is pushed in front of a tractor-trailer. As a tractor-trailer overtakes your motor coach, the air usually pushes the vehicle to the right at the beginning of the passing maneuver, and then pulls the vehicle back to the left as the tractor-trailer completes the pass. You can reduce this movement by placing your coach toward the right side of your lane. This maneuver is safest when you're traveling in the far right lane. If you're using another lane, moving to the far right of that lane might cause the driver in the lane beside you to panic because it looks like you're going into his lane.

### Rain and Hydroplaning

Another common weather condition you'll experience on the road is rain. Rainy conditions are most dangerous during the first 15 minutes of rainfall. The roadway absorbs so much oil and petroleum that when water is added to the equation, a very slippery road surface is created. Reduce your driving speed and increase your following distance when the roadway is wet. This is necessary because it takes longer to stop your coach on a slippery surface. Make slow, smooth applications to the throttle and brakes, which will reduce the potential of getting involved in a slide. Your steering wheel adjustments should be calm and steady as well. For the best possible visibility, drive with your headlights on.

Rainwater can also be dangerous when it pools on the road surface. Most people would guess that because of the weight

of a motor coach, the tires would adhere to the road all the time. But that's simply not the case. Hydroplaning is a phenomenon that is caused by the tire surface leaving the roadway and climbing up on top of the water sitting on the road. This causes the tire to lose contact with the road and, for the most part, renders the steering wheel and the brakes useless. Hydroplaning usually occurs at speeds above 50 miles per hour, although it can happen at lower speeds if the tires are not in good operating condition. Preventing hydroplaning is so critical that the federal government requires an additional 2/32" tread on the front tires of commercial vehicles over what is required on the rear tires.

You can reduce the possibility of hydroplaning by following a couple of easy procedures. First, slow down. Try to avoid the low spots on the highway where the water gathers, such as in grooves where tires have worn down the pavement. Move just slightly to the left or right of the groove onto the portion of the lane that is not covered by water. This increases your vehicle control, while decreasing the amount of water splashed onto other vehicles.

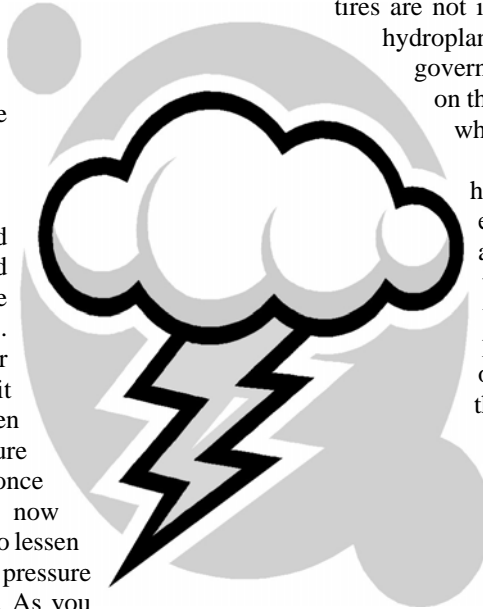
Driving in heavy rain presents another hazard – a condition known as “wet brakes.” Wet brakes occur when the rainwater is splashed up onto and into the brakes. It occurs more commonly on drum brakes than it does on disc brakes. To reverse the wet brakes effect, once you've reached an area where the roadway is not so wet, make a normal brake application. If the brakes do not work normally, place your left foot on the brake pedal just hard enough to feel that is it trying to slow the coach down. Continue with your right foot on the accelerator in the position that it was in before you started the procedure. Drive with very light pressure on the brake pedal for 10 to 15 seconds. Take both feet off the pedals and try another normal brake application. If the brakes still aren't working normally, repeat this procedure until they dry out.

### Fog

Another condition you may encounter on the road is fog. You've probably seen reports on television where multi-vehicle accidents have occurred when fog causes a whiteout condition. In a whiteout, which can also be created by blowing snow, drivers simply can't see. With visibility at near zero, vehicles begin crashing into each other.

Recent investigations by the ABC television program *20/20* give us some insight into the problem. Michael Gilliland, ABC's science editor, was placed into a simulator that duplicated a dense fog condition and monitored the reactions of the driver. In each case they found that a driver entering the fog at 65 miles per hour would before long be traveling at 85 or 90 miles per hour. It appeared that once the drivers lost all reference points, they were too frightened and busy to look at the instruments and inadvertently increased their speeds dramatically. I believe that in addition to a loss of

*Continued on next page...*



## WEATHERING THE STORMS, CONTINUED

reference points, the fear of being hit from behind also spurs drivers on blindly.

Observation can help you to avoid "pea soup" fog. When you see moisture lying near the ground in fields alongside the roadway, be aware that it doesn't take much for this fog to pool in an area in front of you. As a general rule, these conditions are most common in the early morning, early evening, or during hours of darkness. The moisture from the air can start to gather on your windshield, causing you to have to use your wipers. This is a clue that the potential exists for a heavy fog condition to happen. A body of water, an agricultural field, or a low area in the roadway are all places where fog might gather.

To avoid foggy areas, turn on your CB radio to the channel the truckers are using. In most parts of the country, this is usually channel 19. When truckers spot fog banks, they warn each other, often referring to mile marker poles. Identifying trouble spots in advance will help you to be prepared. Pull off the road at an exit before you reach the fog and sit until it dissipates.

If you are forced to drive in foggy conditions, slow down and drive defensively. Take notice of what professional drivers around you are doing. Consider turning your four-way (emergency) flashers on. Used by professional drivers when climbing hills, the flashers signal that the vehicle is traveling slower than the rest of traffic. Do not use your flashers when parked alongside the roadway in fog – you may be mistaken for a slow-moving vehicle.

### Black Ice

Another dangerous condition that most people don't recognize

is known as black ice. This condition occurs when ice melts and refreezes throughout the day. As the temperature lowers, the moisture that hasn't evaporated can refreeze into a very thin coating on the roadway. Black ice can also occur on bridge surfaces at any time since the cold air under the bridge may prevent melting. Mountainous or hilly terrain where the sun is prevented from hitting both sides of the roadway is an area where you may find black ice. It usually occurs on the south side of an east-west highway.

At night, if your headlights no longer illuminate the roadway in front of you, that's a sure sign of black ice. What's occurring is that the black ice on the roadway causes your headlights to reflect up off the road and into the air. Snow, ice, and slush, though dangerous conditions, can usually be avoided by RV'rs. You don't have to travel when the weather gets bad. If you are moving to the south for the winter, you can stop and park or postpone your departure until the weather clears. If you are caught in snow, slush, or ice, use the same defensive driving techniques mentioned for use in other adverse driving conditions.

Take notice of the changes in the weather that will affect your travel, and don't take chances. Adjust your driving style and schedule to whatever the weather conditions require to ensure that you arrive safely at your destination. ❁

*We thank Aon Recreation Insurance for permission to reprint the foregoing article. With nearly four decades of experience insuring RVs, no one understands your vehicle like Aon Recreation Insurance (formerly RV Alliance America). Aon has multiple carrier options and can provide you with a policy custom-designed for the special nature of your coach. Aon also offers the added benefit of umbrella coverage, which provides liability coverage that extends beyond your RV, home, and auto insurance policies to protect you from a costly lawsuit. To get a quote, call Aon at 800.521.2942, or visit [www.aonrecreation.com](http://www.aonrecreation.com) for more information.*

## NEW MEMBERS



We extend the hand of welcome to our new members who have joined Discovery Owners Association since the last issue of this newsletter:

Jeffery Niolet, Gulfport MS  
 Jon Micheal, Valrico FL  
 David White, De Funiak Springs FL  
 Ronald Smith, Orlando FL  
 Scott Hurst, Lutz FL  
 Ronald Cheesman, Lake Havasu AZ  
 George/Lois Berger, Emery SD  
 Ron/Suzie Hampton, Seffner FL  
 Marlin/Christa Howze, Sequin TX  
 Jim/Carol Sampson, Austin TX  
 B.G./Debra Sanders, San Angelo TX  
 Joe/Carla Spafford, Denton TX  
 James/Connie Young, Dale TX  
 Ken/Jean Warren, Wilton CA  
 Alfreda Peterson/Thomas Wallace, L.A. CA  
 Dennis/Susie Waugh, Sioux Falls SD  
 Farris/Jan Baggett, Susanville CA

Gregory/Patty Corwin, Arlington Heights IL  
 Geoff/Adrienne Davey, Parksville BC  
 Richard Haenke/Dale Strange, Austin TX  
 Don/Sonya Martin, Conroe TX  
 Bill/Dianne Maxwell, Brandon FL  
 Don/Molly Morey, Oakville WA  
 Dick/Pat Tracy, Fleetwood PA  
 Russ/Patti Wassell, Glendale CA  
 Barry/Kathy Jacobs, Livingston TX  
 James Harrelson, Fuquay Varina NC  
 James Hodges, West Palm Beach FL  
 Byron Wickham, Russellville MO  
 Carlos Ward, Jacksonville FL  
 David Swetman, Winter Park FL  
 Edward Cochrane, Clearwater FL  
 Samuel Hardee, Charleston SC  
 Henry/Toodie Brendle, Bass Lake CA  
 Steven/Diane Dailey, Huntington Beach CA  
 Stew/Carolyn Beck, Newark OH  
 Harry/Judy Bruton, Taft TX  
 Jim/Patricia Gravel, Prior Lake MN  
 Tom/Liz Gregg, Sandy UT  
 Richard/Rita Johnson, Windsor CO  
 Emmett/Janice Main, Meeker CO  
 Toby/Martha Quinn, Nashville TN  
 Gregory Collins, Scottsburg IN  
 Albert McCreary, Jonesborough TN

Bill Katterhenry, Missoula MT  
 Cecile Chaquette, St. Zotique, QE  
 Henry Scott, Pensicola FL  
 Mozel McCoy, Decatur GA  
 Roger Alen, Rock Hill SC  
 Alvin Penton, Largo FL  
 Jennifer Modica, Cape May Court House NJ  
 Linwood Williams, Portsmouth VA  
 James/Claudia Brown, Summerfield NC  
 John/Carolyn Florkiewicz, Fairhope AL  
 Michael Robinson, Mayport FL  
 Nicholas O'Brien, Ocoee FL  
 Gregg Marshalla, Bradenton FL  
 Gregory Koehler, Spring Hill FL  
 Cato Steel, Orlando FL  
 William Hall, Dover DE  
 David/Linda Hayden, Concord NC  
 Dorothy Franklin, Lauderhill FL  
 Dana Wise, Bradenton FL  
 Thomas/Rosemary Bell, Dunnellon FL  
 Ron/Sue Garten, Emery SD  
 Duane/Sheryl Helfrick, Temecula CA  
 Richard/Gail Parr, Alpena MI  
 Jack/Barb Rigg, Fairfield Glade TN  
 James/Elizabeth Withrow, Chipley FL  
 Barry/Rose Marie Rumac, Austin TX  
 Joseph/Wand Barlow, Brunswick GA ❁

**DISCOVERY MODIFICATIONS: HEADLIGHT ON WARNING BUZZER**

by Pete Shaffer

**Purpose:** My 1997 model didn't have any device to warn if I left the headlights on after I shut off the engine and removed the key. I didn't want a harsh sounding buzzer as a reminder, but I wanted a softer "ding" of a chime. This device only has three connections to the coach, 12-volt accessories, 12-volt lights, and ground; easy to build and install.



**Parts & Cost:** Radio Shack chime (catalog #273-071) \$10; standard 12-volt relay that I bought on eBay for \$1 (Radio Shack catalog #275-226, \$6); package of insulated female quick-disconnect terminals (catalog #64-3132), \$2; double-sided foam tape (catalog #64-2361), \$2; two each in-line fuse holder (catalog #270-1238), \$4; two fast-acting 0.5 amp fuses (catalog #270-1047), \$5.00; total \$24.00.

**Time to build:** This took me about one hour to build after I sketched the wiring diagram, and about one hour to install.

**Construction Description:** Mount both the relay and tone generator to a small scrap piece of thin board. Since this device will be hidden from view, looks aren't that important.

Looking at the bottom of the relay, there should be numbers identifying the terminals. These should be 30, 85, 86, 87, 87a. The Radio Shack chime has three wires – blue, black, and red.

Using insulated female quick-disconnect terminals, connect the blue and black tone wires and 12-inch length of black wire to relay connection #85. Using another female quick-disconnect

terminal, connect the remaining red wire to relay connection #30.

Using a 2-foot length of blue 18 gauge wire and a quick-disconnect, connect one wire end to relay #87a.

Using a 2-foot length of red 18 gauge wire, connect one end to relay terminal #86.

Find a good location for mounting the relay/tone board under the dash, and run the red and blue wires through the firewall (use an existing hole, or drill a new one), to the front fuse box. Connect the red wire to one end of the in-line fuse holder and attach a male quick-disconnect to the other end. Plug the quick-disconnect of the fuse holder to the accessories output (only hot when key is turned on) in the fuse box.

Connect the blue wire to the second fuse holder and other end of fuse holder to quick-disconnect terminal. Plug this end into a lighting output (hot when lights are turned on) in the fuse box (the black ground wire can be connected to any good ground connection under the dash board).

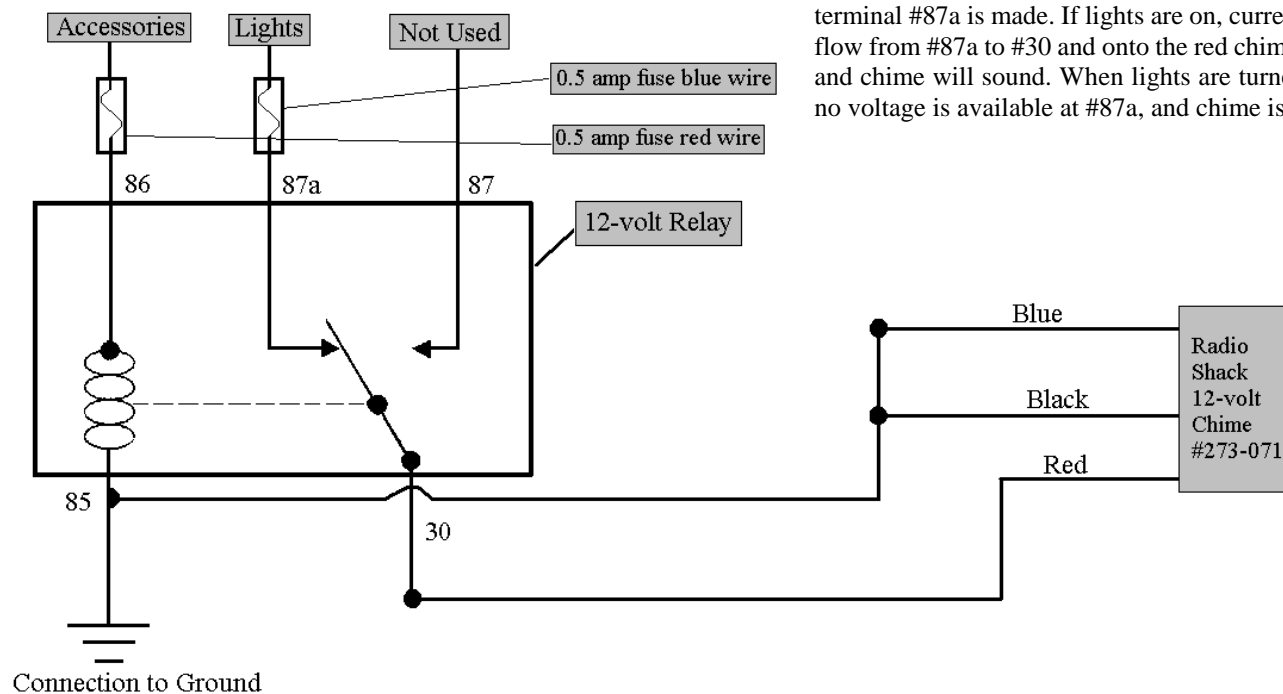
Test the circuits by turning on the headlights. The tone generator should chime. When the ignition key is turned off, chime should stop. When the headlights are turned off, chime should remain quiet. When the key is turned off, chime should be quiet.

When it all checks out, mount the relay/tone board to your chosen location.

Clean up all tools and debris and call your supervisor for a final inspection and get a thumbs up! \*

*Pete Shaffer is an active DOAI member and frequent contributor to this newsletter.*

**Diagram Notes:** The relay shown below is at rest (key not turned on). When key is turned on, 12 volts are activated on the accessories circuit and applied to terminal #86 on the relay. This activates relay, breaking contact at #87a and making contact at terminal #87. Since terminal #87 is not connected to anything, no chime will sound. If lights are turned on, 12 volts will be present at #87a, but since key is on, this connection is broken and no chime will sound. If key is turned off, no voltage will be present at terminal #86, relay will close and connection at terminal #87a is made. If lights are on, current will flow from #87a to #30 and onto the red chime wire and chime will sound. When lights are turned off, no voltage is available at #87a, and chime is quiet.



Connection to Ground



**SOUTHEAST REGION 2006 RALLY  
 TRI-CHAPTER FRIENDSHIP FESTIVAL**  
 THURSDAY, JANUARY 26 - TUESDAY, JANUARY 31, 2006  
 Lazydays RallyPark, off Interstate 4, Exit 10, Seffner, FL  
Early Arrival: Wednesday, Jan. 25 – Late Departure: Wednesday, Feb. 1

Pilot's Last Name \_\_\_\_\_ First Name (MI) \_\_\_\_\_

Co-Pilot's Last Name \_\_\_\_\_ First Name (MI) \_\_\_\_\_

Street Address \_\_\_\_\_

City, State, ZIP \_\_\_\_\_

DOAI # \_\_\_\_\_ Cell Phone \_\_\_\_\_ E-mail \_\_\_\_\_

Emergency Contact \_\_\_\_\_

Emergency Telephone \_\_\_\_\_

Handicap Parking (circle one)    Yes        No        **Must post handicap tag**

Cost for **five nights' and six days' camping** with all amenities and more:

\$210.00 per coach with two adults ..... \$ \_\_\_\_\_

\$172.00 per coach with one adult ..... \$ \_\_\_\_\_

\$48.00 each additional adult ..... \$ \_\_\_\_\_

\$28.00 each child ..... \$ \_\_\_\_\_

\$T/B/D each additional day ..... \$ \_\_\_\_\_

**Make check payable to Lazydays RallyPark ..... \$ \_\_\_\_\_**

**Mail check and complete registration form to:**

Lazydays RallyPark  
6210 County Road 579  
Seffner, FL 33584-3004

Telephone 800.905.6627  
E-mail [rallypark@lazydays.com](mailto:rallypark@lazydays.com)

**Register early** with Lazydays to assure yourself of a site. Please use this registration form to avoid confusion. **MAKE YOURSELF A COPY.** If you arrive early, plan to have your own party at your site ... the recreation hall is reserved on January 25 by another group.

**Driving instructions** – call immediately – 800.626.7800

No show, no refund  
*This form has been approved by Lazydays RallyPark*



**SALE PAGE FOR MEMBERS**

This feature is available to any DOAI member, free of charge, on a space-available basis. Send information to the editor, preferably via e-mail. Include full information, and send a photo, too. Sale items will run in a limited number of issues.

**MOTOR HOMES FOR SALE**



**2001 DISCOVERY 37G:** Loaded, non-smokers, with dryer, central vac system, diesel gen, all leather interior, alder cabinets, etc. 52,000 miles, well taken care of. Ron and Sharon Zimmerman, 407.330.1658; [gnopgnip1@bellsouth.net](mailto:gnopgnip1@bellsouth.net).

**Price: \$88,500 OBO**

**2001 DISCOVERY 38D:** Cat 330 HP pusher, two slides, Allison 6-speed tranny, Onan diesel 7.5KW gen, (motion) track vision, washer/dryer, AC, refrig/freezer w/icemaker, Corian™ countertops, MW/convec, central vac, and more. Transferable extended warranty 70,000 miles or May 2008, mileage 42,000, like new, one owner May 2001, always kept in heated garage, non-smoker, no pets. Dick Wilson, 828.389.9035; cell 239.281.0068; [wilsonohiost@msn.com](mailto:wilsonohiost@msn.com). **Price: \$115,000 NEGOTIABLE**



**2005 DISCOVERY 38U:** Onan 7.5KW generator, MW/convec, washer/dryer, Norcold 4-door w/icemaker, hide-a-bed sofa, satellite dish, satellite radio, central vac, queen bed w/air mattress, bedroom lav, 20" and 27" TVs, VCR-DVD-CD, tinted windows, reverse osmosis water system, Super Steer bell crank, Safe-T-Plus steering control, 8,000 miles. James Jestes, 928.342.7132. **Price: \$145,000**



**2000 DISCOVERY 37V:** 275 HP Cummins, Allison 6-speed trans, diesel 7.5KW gen, washer/dryer, side-by-side refrig/freezer, Corian™ countertops, MW/convec and regular ovens, leather pilot and co-pilot chairs and couch, booth in dining area, 2KW inverter, all options, satellite and regular TV antenna, 38,000 miles. 2004 Honda Accord tow car also available. Nelson Snyder, 352.542.8880; [wnsnyderfl@wmconnect.com](mailto:wnsnyderfl@wmconnect.com) **Price: \$92,000**

**1998 DISCOVERY 36T:** Well maintained, 61,000 miles, non-smoking, no pets. Includes all new tires at 45,000 miles, mounted spare tire, external tire rack, generator, MW/convec, washer/dryer, refrig/freezer w/icemaker, two AC units, back-up camera, awning, Steer Safe added, two leather couches, leather pilot and co-pilot chairs. Plum interior. Coupled propane tanks, built-in closet with clothes hamper, Purge water tank system. Bernie Abbott, 561.615.4509; cell 561.236.5811; [blabbott11@aol.com](mailto:blabbott11@aol.com). **Price Reduction! \$69,000 OBO**



**2001.5 DISCOVERY 37:** Two slides, A/Cs, awnings, 37,000 miles, 330 HP Cat engine, excellent condition, no smoking, loaded. Call for information on many extras. Cynthia Biestek, 574.320.6094; [roadwladylady@aol.com](mailto:roadwladylady@aol.com) **Price \$105,000**

**2001 DISCOVERY 36T:** Loaded, with less than 10,000 miles. Dixie Chadwick, 928.768.5532; [d1c104@msn.com](mailto:d1c104@msn.com)

**1999 DISCOVERY 36T:** Current Texas inspection and tags (August 2006), one slide, Cummins ISB 275, Allison 6-speed tranny, Cummins RoadRelay system, Onan 6.5KW gen, 1K inverter, power mgmnt system, queen bed, VCR/DVD, two TVs, satellite dish, MW/convec and gas oven, refrig/freezer w/icemaker, two ACs, LP extended stay connection, full awnings all windows with day/night shades. SRV tires with two spares and covers. Exterior burgundy/plum, interior burgundy/plum with oak trim, less than 59,000 miles. Price includes two City Bug electric scooters. Gene Hamelman, 972.495.6342; [g-mann@comcast.net](mailto:g-mann@comcast.net) **Price: \$72,500**

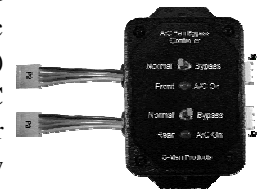


**ITEMS OF INTEREST TO DISCOVERY OWNERS**



**DON'S HUB NUT WRENCH:** If you don't want the tire technician who is changing your tire to use pliers and a rag on your chrome decorative retaining nut of your rear duals, get this wrench! It can be used on most coaches on a Freightliner chassis with aluminum wheels and the screw-in decorative nut. It also makes polishing the rims easier with the rear axle can off. Donald Cullins, 9025 Robinhood Cir., Westerville, OH 43082-9665; [scdc432@sbcglobal.net](mailto:scdc432@sbcglobal.net) **Price: \$12.95 each plus \$3 s/h**

**AC FAN BYPASS CONTROLLER:** If your coach has the Intellitec Electronic Climate Control (ECC) and you're annoyed because the AC fan runs all the time, save wear, tear and electricity! Check out the new AC Fan Bypass Controller at [g-mann.home.comcast.net](http://g-mann.home.comcast.net) Gene Hamelman, 972. 495.6342; [g-mann@comcast.net](mailto:g-mann@comcast.net) **Price: \$44.95 plus \$5 s/h**



**SUNSCREENS AND AWNING:** Front window, two side windows, and awning screen, teal color. Will fit 2002 Discovery. Items will require snap fasteners (screens made by Sun Pro, Yuma, AZ). Sandy and Clarence Bross, [scbross@msn.com](mailto:scbross@msn.com) **Price: \$35 plus actual shipping**



NATIONAL DOAI RALLY 2006 – DISCOVER THE ALAMO

Blazing Star RV Resort, San Antonio, Texas

OCTOBER 4, 5, 6, AND 7, 2006

TOURS AND GOLF – OCTOBER 2 AND 3, 2006 (EARLY ARRIVAL)

REGISTRATION FORM

Please PRINT legibly or TYPE all information

Pilot's Last Name \_\_\_\_\_ First Name \_\_\_\_\_

Co-Pilot's Last Name \_\_\_\_\_ First Name \_\_\_\_\_

Street \_\_\_\_\_ City, State, ZIP+4 Code \_\_\_\_\_

DOAI # \_\_\_\_\_ Coach Year \_\_\_\_\_ Mileage \_\_\_\_\_ First National Rally? \_\_\_\_\_

Home Phone \_\_\_\_\_ Cell Phone \_\_\_\_\_

Need handicap parking? Yes \_\_\_\_\_ No \_\_\_\_\_ E-Mail \_\_\_\_\_

↑ ↑ ↑ ↑ ↑ NOTE: Please indicate above if you need Handicap Parking so that space will be saved for you!

Guest(s) Name, City, State \_\_\_\_\_

Registration:

\$200.00 per coach with two adults (October 4-7) ..... \$ \_\_\_\_\_

\$155.00 per coach with one adult (October 4-7) ..... \$ \_\_\_\_\_

\$45.00 each additional adult or child (October 4-7) x \_\_\_\_\_ persons = ..... \$ \_\_\_\_\_

Early Arrival:

Sun. Oct. 1 \_\_\_\_\_ Mon. Oct 2 \_\_\_\_\_ Tue. Oct. 3 \_\_\_\_\_ x \$28.00 = ..... \$ \_\_\_\_\_

\* Tour 1: \$60.00 x \_\_\_\_\_ persons (Monday and Tuesday) = ..... \$ \_\_\_\_\_

\*\* Tour 2: \$40.00 x \_\_\_\_\_ persons (Monday) = ..... \$ \_\_\_\_\_

\*\*\* Tour 3: \$40.00 x \_\_\_\_\_ persons (Tuesday) = ..... \$ \_\_\_\_\_

\*\*\*\* Golf: \$35.00 x \_\_\_\_\_ persons (Monday) = ..... \$ \_\_\_\_\_

\$20 DOAI membership (if not already a DOAI member) ..... \$ \_\_\_\_\_

MAKE CHECK PAYABLE TO: DISCOVERY OWNERS ASSN., INC. Check Enclosed ..... \$ \_\_\_\_\_

\*Tour 1: Monday 8:30 to 1:30 p.m. – River Boat Ride, Japanese Tea Gardens, Market Square, Downtown San Antonio (with lunch break) and Tuesday 8:30 a.m. to 2:00 p.m. – Alamo, San Fernando Cathedral, Mission San José, Mission Concepción (with lunch break)

\*\*Tour 2: Monday 8:30 a.m. to 1:30 p.m. – River Boat Ride, Japanese Tea Gardens, Market Square, Downtown San Antonio (with lunch break)

\*\*\*Tour 3: Tuesday 8:30 a.m. to 2:00 p.m. – Alamo, San Fernando Cathedral, Mission San José, Mission Concepción (with lunch break)

→ → ALL TOURS: Price includes all admission fees and taxes. Price does not include lunch. ← ←

\*\*\*\*Golf: Monday 8:00 a.m. – Golf at Bandera, Cowboy Capital of the World. Includes greens fee and cart.

MAIL CHECK AND REGISTRATION FORM TO: Elsie Sikes, Registrar, 240 Star Ln., Pipe Creek, TX 78063-5147

QUESTIONS? Call Elsie (tollfree 888.857.7048) or send e-mail (sikesel@aol.com)

REGISTRATION MUST BE RECEIVED BY SEPTEMBER 15, 2006

LIMIT OF 200 COACHES

→ → → COPY FORM FOR YOUR RECORDS – NO SHOW, NO REFUND ← ← ← YOU WILL RECEIVE A CONFIRMATION OF YOUR REGISTRATION VIA E-MAIL.

EDITOR'S RAMBLINGS by Nina Lee Soltwedel

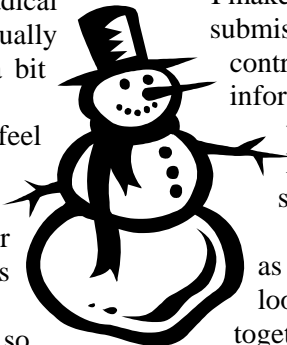


As I write this quarterly message to each of you, it's December 24 ... Christmas Eve. I'm in Arizona, where the weather is warm, the sun is shining, and snow is nowhere to be seen. This is a radical departure from what I usually experience at Christmastime, and it feels a bit strange and awkward.

I imagine that's how new members can feel when they attend their first gathering after becoming a Discovery owner and DOAI member, whether that gathering is a chapter rally, or regional rally, or national rally ... it's a strange and perhaps awkward experience.

That's why welcoming first timers is so important. It's an effort to help them feel comfortable and to progress quickly to the realization that they are among friends.

Whenever I am fortunate enough to attend a rally, I am eager to see old friends, and curious to discover new friends ... it's a constant adventure, and one I wouldn't miss for the world. I hope you feel the same way.



A Change of E-Mail Address

I changed my e-mail address recently, and the new listing is shown on page two, in the grey column headed "About This Newsletter." When you send articles and news items for this publication, please use the new address. I thank you.

I make an effort to immediately acknowledge every submission for the newsletter, so you will know your contribution has been received. If you e-mail the information and you don't get a reply within a week, please call me on my toll-free number. I'd hate to miss your information because of some glitch in the Internet.

This issue is the beginning of my third year as your editor. I'm having fun in this job, and am looking forward to the coming months as we all, together, travel down that road called "making DOAI the best it can be." I will continue to strive make the newsletter informative, helpful, interesting, and fun. If you have ideas for an article, or have made a modification to your rig and are willing to share the information, or have a tasty recipe you're willing to have published, please let me hear from you. My best wishes to each of you for a fantastic 2006!

DISCOVERY OWNERS ASSOCIATION, INC. MEMBERSHIP APPLICATION

Welcome to an organization open to all owners of Discovery motor homes by Fleetwood RV. DOAI is an organization intended to foster social opportunities and information exchange among members.

Dues are \$20.00 for the first year\*; \$16.00 for one year renewal; \$45.00 for three years, or \$75.00 for five years. \*New members pay an additional \$4.00 one-time administrative fee.

PLEASE...PAYABLE IN U.S. FUNDS ONLY!
Questions? Call 888.594.6818

Mail the form below with your check payable to Discovery Owners Association, Inc. to:

PORTIA WILLIAMS, MEMBERSHIP DIRECTOR
P. O. BOX 95
ST. GEORGE, UT 84771-0095

Pilot Last Name \_\_\_\_\_ First \_\_\_\_\_ Co-Pilot \_\_\_\_\_

Address \_\_\_\_\_

City, State, ZIP+4 Code \_\_\_\_\_

Home Telephone \_\_\_\_\_ Cell Telephone \_\_\_\_\_

Discovery Year \_\_\_\_\_ Length and Model \_\_\_\_\_ E-Mail Address \_\_\_\_\_

Is this your first RV? Yes \_\_\_\_\_ No \_\_\_\_\_ Are you a full-time or part-time RV'er? \_\_\_\_\_

Who recommended DOAI membership to you? \_\_\_\_\_

Check enclosed for \$ \_\_\_\_\_ representing (check one):
' One year ' Three years ' Five years

**D.O.A.I. thanks these fine manufacturers for providing financial assistance in the production of this newsletter**



**THE LEADER AT EVERY TURN™**



**Discovery** Owners Association, Inc.

Portia Williams, Membership Director  
P. O. Box 95  
St. George, UT 84771-0095

Pre-Sorted  
FIRST CLASS MAIL  
U.S. Postage Paid  
Boulder, CO  
Permit No. 94

ADDRESS SERVICE REQUESTED

